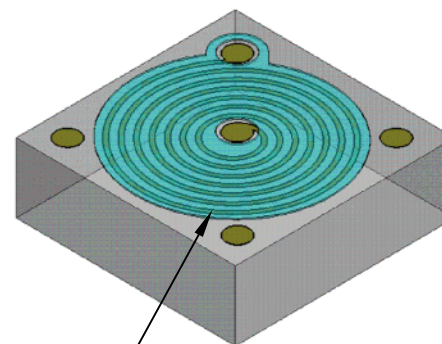
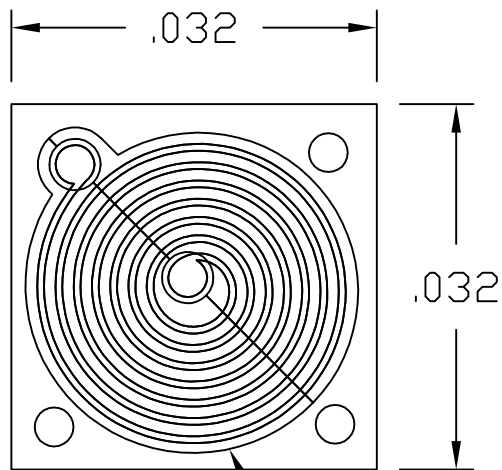


DWG. NO.

REVISIONS

REV	DESCRIPTION	APPROVED	DATE

ATP-I-010-Q-264 revA
7.0 turn



NOTES: (UNLESS OTHERWISE SPECIFIED)

1. MATERIAL: .010 THK QUARTZ/FUSED SILICA (SiO₂)

2. METALIZATION A SIDE

TiW= 400-800 Å


Au= 250 um min.


NO METALIZATION ON B SIDE

3. CRITICAL DIMENSIONS:

LINE= .0006±.0001

GAP= .001±.0001

 POLYIMIDE=3-6 MICRONS

ITEM	QTY	PART/MATERIAL - DESCRIPTION	MATL-DWG NO.	MATL-SPEC
PARTS LIST				
CAD GENERATED DRAWING, DO NOT MANUALLY UPDATE				
APPROVALS		DATE	 ATP APPLIED THIN-FILM PRODUCTS 3439 EDISON WAY FREMONT, CALIFORNIA 94538	
DRAWN	EKL	04/05/13		
MECH				
ELEC				
TITLE			7.0 TURN 26.4nh SPIRAL INDUCTOR	
MPFG	A.Mackey	02/07/13		
QA	K.Netser	02/07/13		
DOC CNTRL	C.Quesada	02/07/13		
SIZE		CAGE CODE	DWG. NO.	REV
B		04ZMO	ATP-I-010-Q-264	A
SCALE		SHEET		1 OF 1