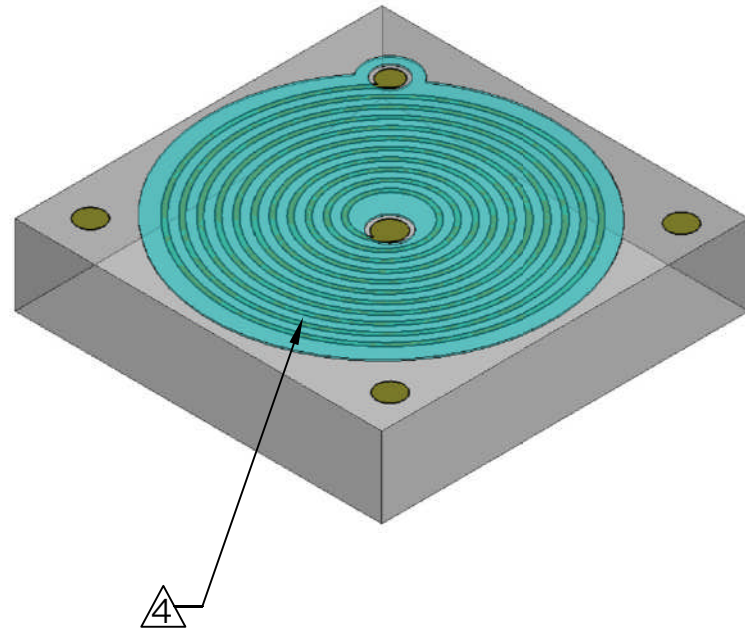
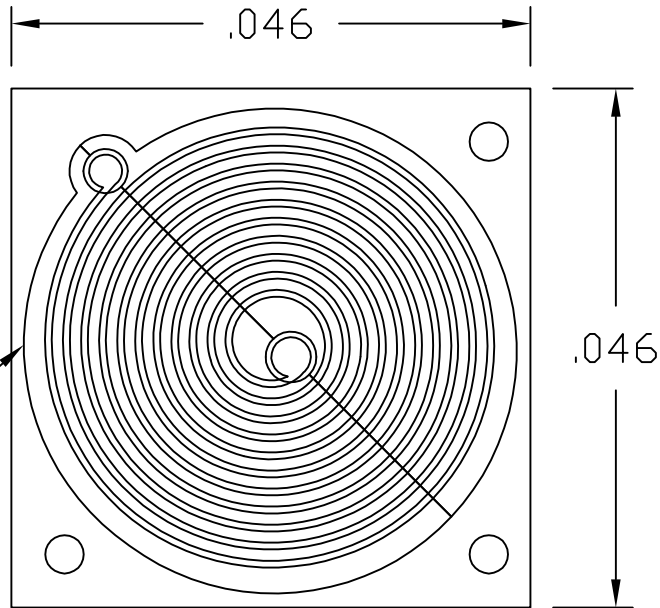


ATP-I-010-Q-877 revA
10.5 turn

DWG. NO.

REVISIONS			
REV	DESCRIPTION	APPROVED	DATE



NOTES: (UNLESS OTHERWISE SPECIFIED)

1. MATERIAL: .010 THK QUARTZ/FUSED SILICA (SiO₂)

2. METALIZATION A SIDE

TiW= 400-800 Å

Au= 250 uin min.

NO METALIZATION ON B SIDE

3. CRITICAL DIMENSIONS:

LINE= .0006±.0001

GAP= .001±.0001

POLYIMIDE=3-6 MICRONS

ITEM	QTY	PART/MATERIAL - DESCRIPTION	MATL-DWG NO.	MATL-SPEC
PARTS LIST				
CAD GENERATED DRAWING DO NOT MANUALLY UPDATE				
APPROVALS		DATE		
DRAWN	BKL	04/05/13		
MECH		TITLE		
ELEC		 3439 EDISON WAY FREMONT, CALIFORNIA 94638 10.5 TURN 87.7nh SPIRAL INDUCTOR		
MFG	A.Mackey			
QA	K.Netser	02/07/13	SIZE	B
DOC CNTRL	C.Quesada	02/07/13	SAGE CODE	04ZMO
			DWG. NO.	ATP-I-010-Q-877
			SCALE	REV A
				SHEET 1 OF 1