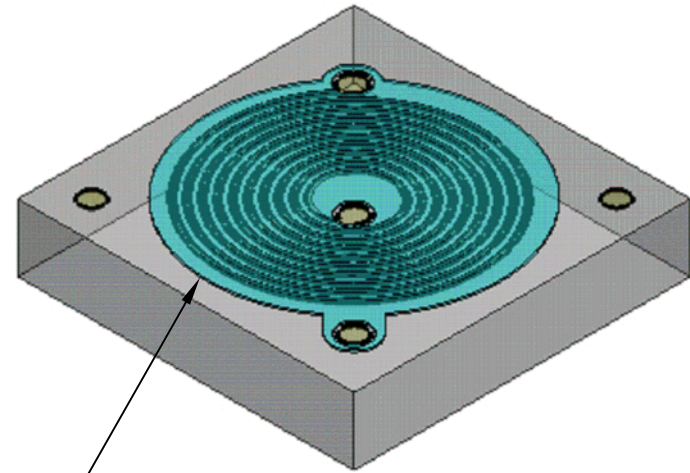
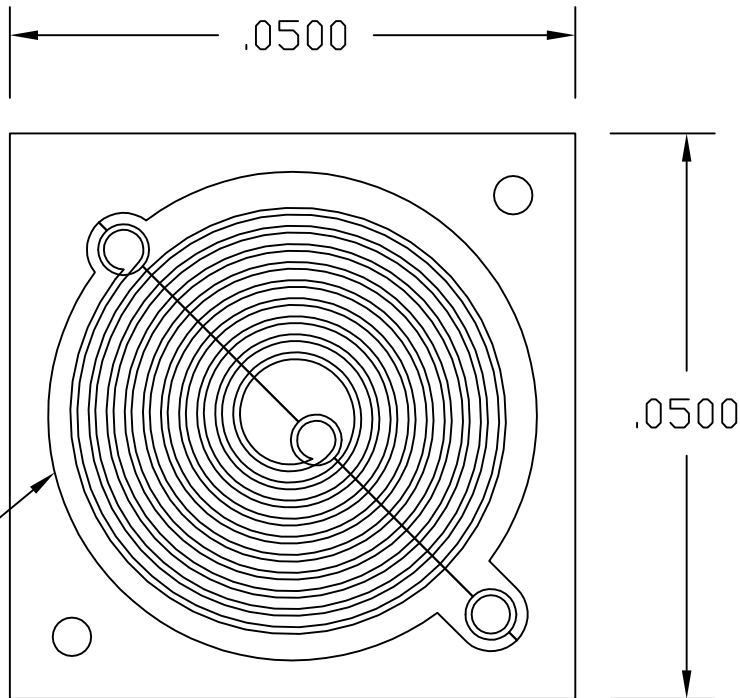


DWG. NO.

REVISIONS

REV	DESCRIPTION	APPROVED	DATE
-----	-------------	----------	------

ATP-I-.010-Q-783 revA
9.5 TURNS



NOTES: (UNLESS OTHERWISE SPECIFIED)

1. MATERIAL: .010 THK QUARTZ/FUSED SILICA (SiO₂)

2. METALIZATION A SIDE

TiW= 400-800 Å°


Au= 250 uin min.


NO METALIZATION ON B SIDE

3. CRITICAL DIMENSIONS:

LINE= .0006±.0001

GAP= .001±.0001

 POLYIMIDE=3-6 MICRONS

ITEM	QTY	PART/MATERIAL - DESCRIPTION	MATL-DWG NO.	MATL-SPEC
PARTS LIST				
CAD GENERATED DRAWING. DO NOT MANUALLY UPDATE.				
APPROVALS		DATE		
DRAWN	BKL	01/10/13		
MFG	A.Mackey	02/07/13	TITLE	
QA	K.Netser	02/07/13	 3438 EDISON WAY FREMONT, CALIFORNIA 94538 9.5 TURN 78.3nh SPIRAL INDUCTOR	
DOC CNTRL	C.Quesada	02/07/13		
SIZE	B	CAGE CODE	DWG. NO.	REV
	04ZMO		ATP-I-010-Q-783	A
SCALE		SHEET		1 OF 1