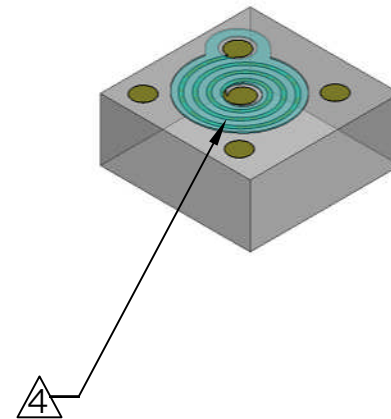
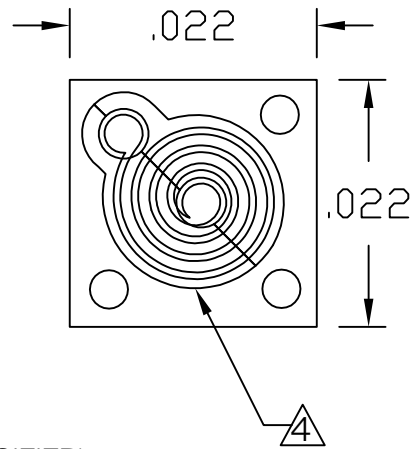


DWG. NO.

REVISIONS

REV	DESCRIPTION	APPROVED	DATE

ATP-I-010-Q-390 revA
3.5 turn



NOTES: (UNLESS OTHERWISE SPECIFIED)

1. MATERIAL: .010 THK QUARTZ/FUSED SILICA (SiO₂)

2. METALIZATION A SIDE

TiW= 400-800 Å°

Au= 250 uin min.


NO METALIZATION ON B SIDE

3. CRITICAL DIMENSIONS:

LINE= .0006±.0001

GAP= .001±.0001

△ POLYIMIDE=3-6 MICRONS

ITEM	QTY	PART/MATERIAL - DESCRIPTION	MATL-DWG NO.	MATL-SPEC
PARTS LIST				
CAD GENERATED DRAWING. DO NOT MANUALLY UPDATE				
APPROVALS		DATE		
DRAWN	BKL	04/05/13		
MECH		TITLE		
ELEC		 3439 EDISON WAY FREMONT, CALIFORNIA 94538 3.5 TURN 3.9nh SPIRAL INDUCTOR		
MFG	A.Hackey			
QA	K.Netser	02/07/13	SIZE B	CAGE CODE 04ZMO
DOC CNTRL	C.Quesada	02/07/13	DWG NO. ATP-I-010-Q-390	REV A
SCALE				SHEET 1 OF 1