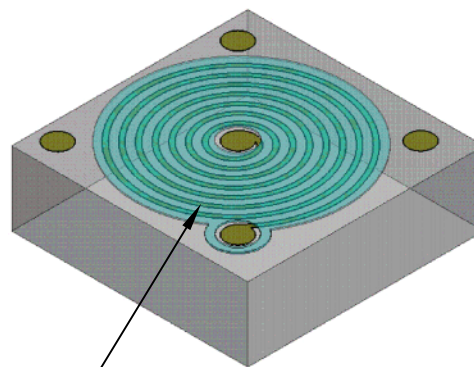
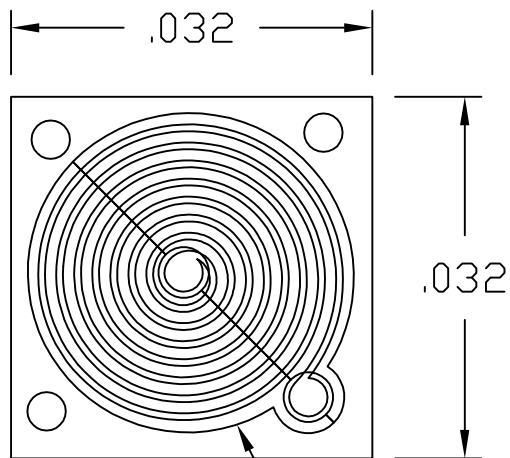


DWG. NO.

REVISIONS

REV	DESCRIPTION	APPROVED	DATE
-----	-------------	----------	------

ATP-I-010-Q-282 revA  
7.5 turn



NOTES: (UNLESS OTHERWISE SPECIFIED)

1. MATERIAL: .010 THK QUARTZ/FUSED SILICA (SiO<sub>2</sub>)

2. METALIZATION A SIDE

TiW= 400-800 Å°

Au= 250 uin min.


NO METALIZATION ON B SIDE

3. CRITICAL DIMENSIONS:

LINE= .0006±.0001

GAP= .001±.0001

▲ POLYIMIDE=3-6 MICRONS

ITEM	QTY	PART/MATERIAL - DESCRIPTION	MATL-DWG NO.	MATL-SPEC
PARTS LIST				
CAD GENERATED DRAWING. DO NOT MANUALLY UPDATE				
APPROVALS		DATE		
DRAWN	BKL	04/05/13		
MECH		TITLE		
ELEC		 3439 EDISON WAY FREMONT, CALIFORNIA 94538 <b>7.5 TURN 28.2nh            SPIRAL INDUCTOR</b>		
MFG	A.Mackey			
QA	K.Netser	02/07/13	SIZE	CAGE CODE
DOC CNTRL	C.Quesada	02/07/13	B	04ZMO
			DWG. NO.	REV
			ATP-I-010-Q-282	A
				SCALE
				SHEET 1 OF 1