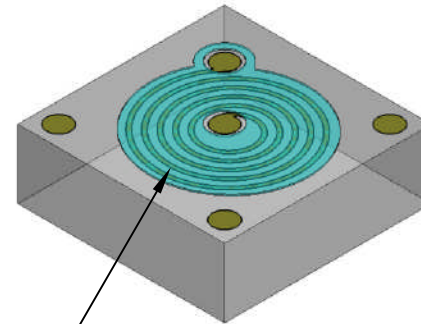
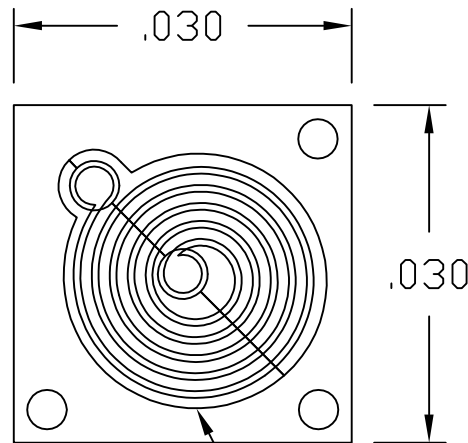


DWG. NO.

REVISIONS			
REV	DESCRIPTION	APPROVED	DATE

ATP-I-010-Q-158 revA
5.0 turn



NOTES: (UNLESS OTHERWISE SPECIFIED)

1. MATERIAL: .010 THK QUARTZ/FUSED SILICA (SiO₂)

2. METALIZATION A SIDE

TiW= 400-800 Å

Au= 250 umin.

NO METALIZATION ON B SIDE

3. CRITICAL DIMENSIONS:

LINE= .0006±.0001

GAP= .001±.0001

POLYIMIDE=3-6 MICRONS



ITEM	QTY	PART/MATERIAL - DESCRIPTION	MATL-DWG NO.	MATL-SPEC
PARTS LIST				
CAD GENERATED DRAWING. DO NOT MANUALLY UPDATE				
APPROVALS		DATE	 3436 EDISON WAY FREMONT, CALIFORNIA 94538 5.0 TURN 15.8nh SPIRAL INDUCTOR	
DRAWN	EKL	04/05/13		
MECH				
ELEC				
MFG	A.Mackey	02/07/13	SIZE	CAGE CODE
QA	K.Netser	02/07/13	B	04ZMO
DOC CNTRL	C.Quesada	02/07/13	SCALE	
			DWG. NO.	ATP-I-010-Q-158
			REV	A
				SHEET 1 OF 1